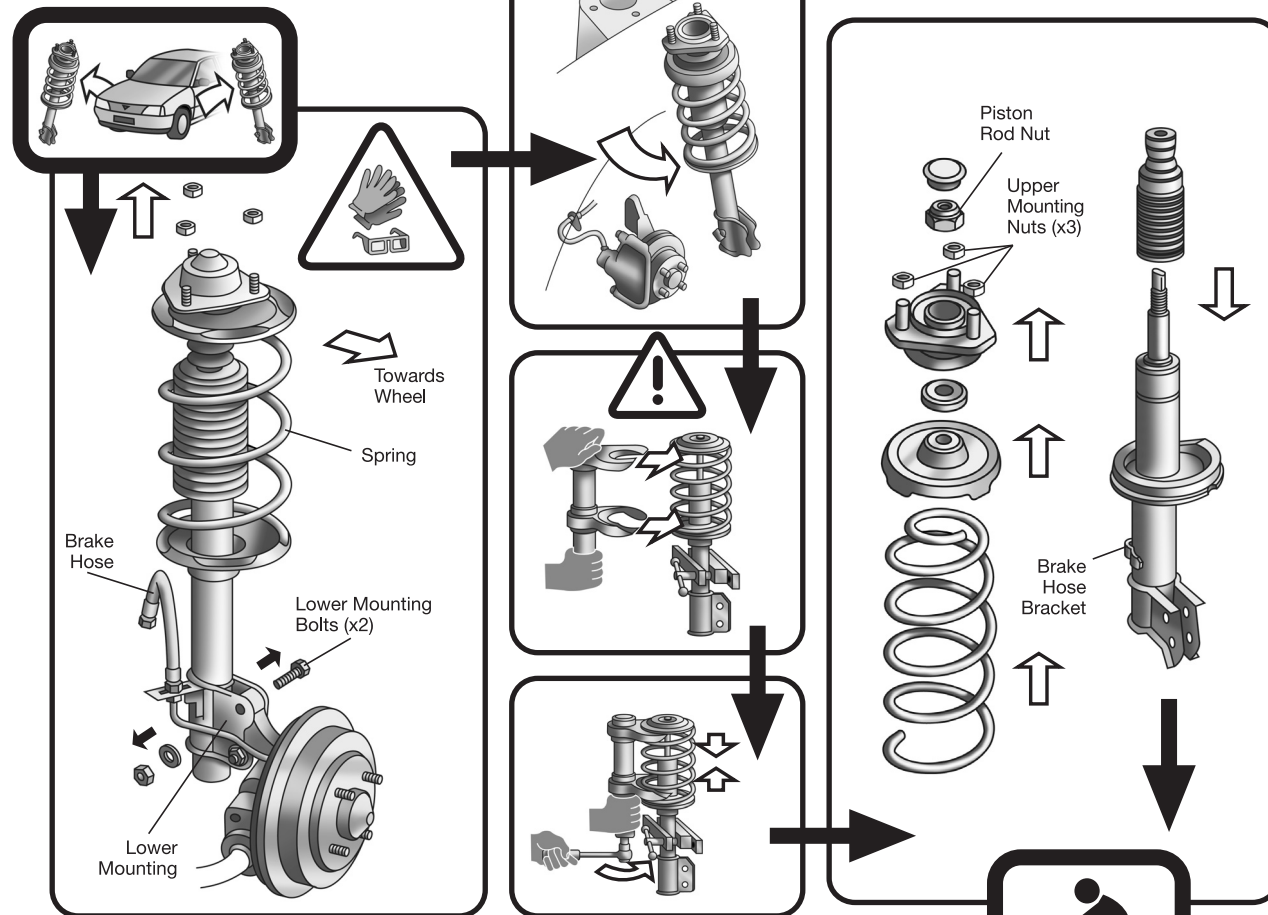
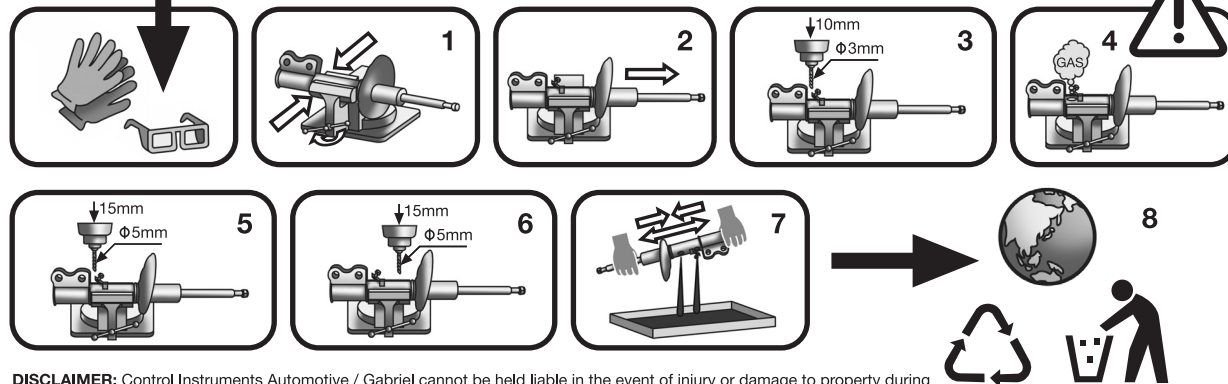




STRUT REMOVAL



STRUT DISPOSAL



DISCLAIMER: Control Instruments Automotive / Gabriel cannot be held liable in the event of injury or damage to property during the assembly / disassembly / disposal process, if the product is not assembled / disassembled / disposed of at a fitment centre, by a trained professional. This leaflet is a generic representation, and not all vehicles will have this type of strut configuration.

STRUT FITMENT

